



ADN Medical Tech  
Calle Almansa, 22  
Elche 03206 - Alicante - España  
info@adnmedical.es  
www.adnmedical.es

**EURODENT**  
Treat yourself!

## Syncro T3 and Syncro T5

The anatomically-designed seat and the synchronized backrest allow the dentist to sit in the most comfortable and correct position.

- Seat height adjustment.
- Synchronized backrest angle adjustment and seat movement (point by point).
- Backrest height and lumbar support adjustment.
- Backrest tilting.
- Height and inclination adjustment with single lever.
- Dynamic working position (permanent contact).
- Anatomically designed seam-free and easy to clean upholstery.
- Footrest and foot control (optional).

**Syncro T3**



**Syncro T5**



## Assist and Assist Plus

The anatomically-designed seat allow the dentist to sit in the most comfortable and correct position.

- Seat height adjustment.
- Backrest height adjustment ( Assist Plus ).
- Lever to seat height adjustment.
- Anatomically designed seam-free and easy to clean upholstery.
- Footrest and foot control (optional).

In the Plus version, the backrest-armrest is adjustable in height (up & down), without the use of levers or buttons guarantees a valid support for both the back and the arms.

**Assist**



**Assist Plus**



**Assist Memory**



## Harley

Similar in shape to the seat of a motorcycle, Harley allows to perfectly balance the weight on the spine and to assume the position that minimizes stress on ligaments and joints. Tilting seat with adjustable height. With footrest and foot control ( optional ).



## 4U and 4U-S

The 4U stools allow you to maintain a correct posture, balancing the weight perfectly to protect the spine and ensuring excellent performance throughout the entire working day.

The movable eyelids placed under the thigh of the operator, improve the blood circulation in the lower limbs, recognizing the dynamic movement and making the movements easier.

4U



4U-S



CONDITIONS:

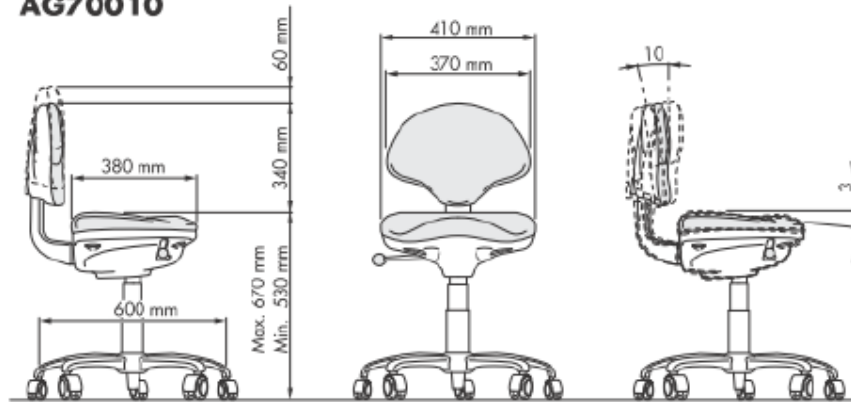
WARRANTY: 2 YEARS

PACKING INCLUDED

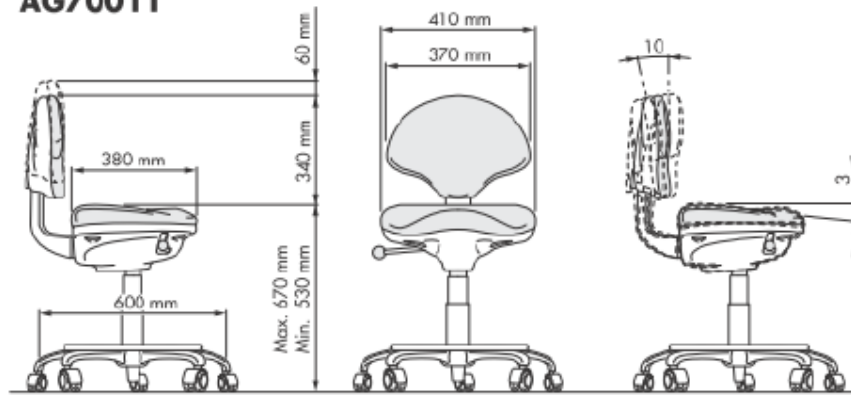
EX WORKS

# T3

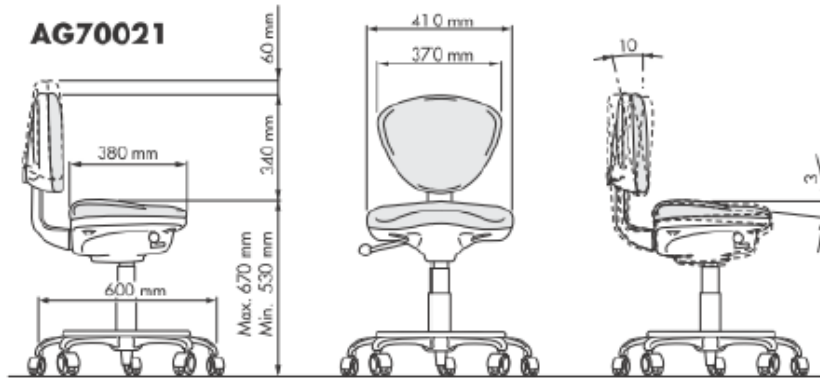
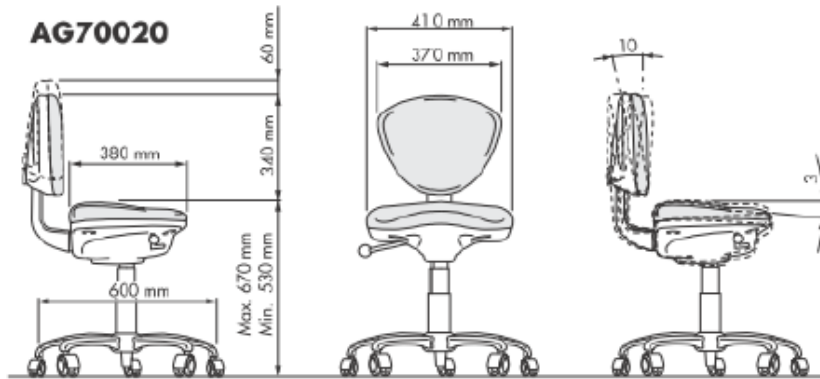
## AG70010



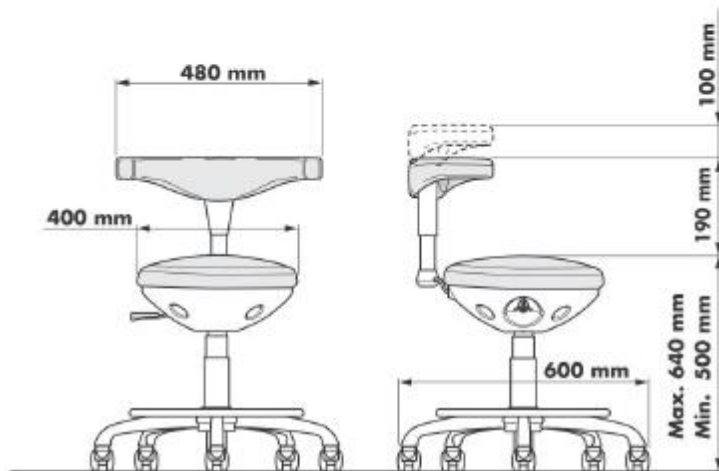
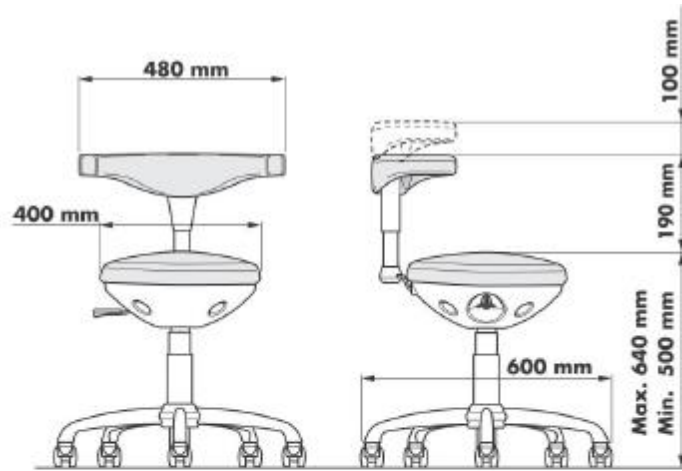
## AG70011



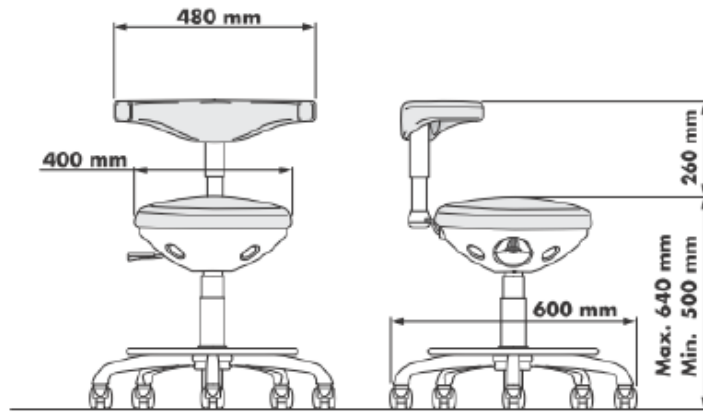
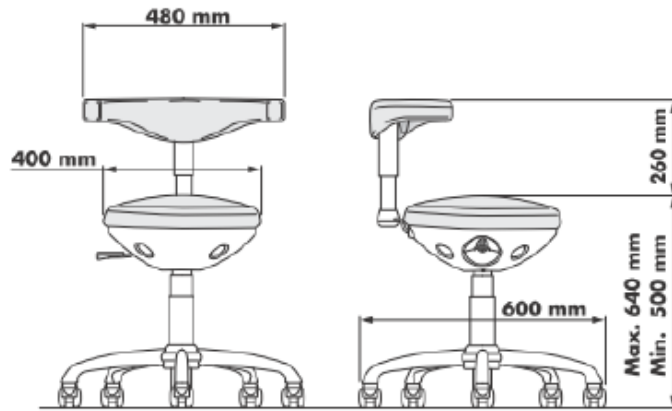
# T5



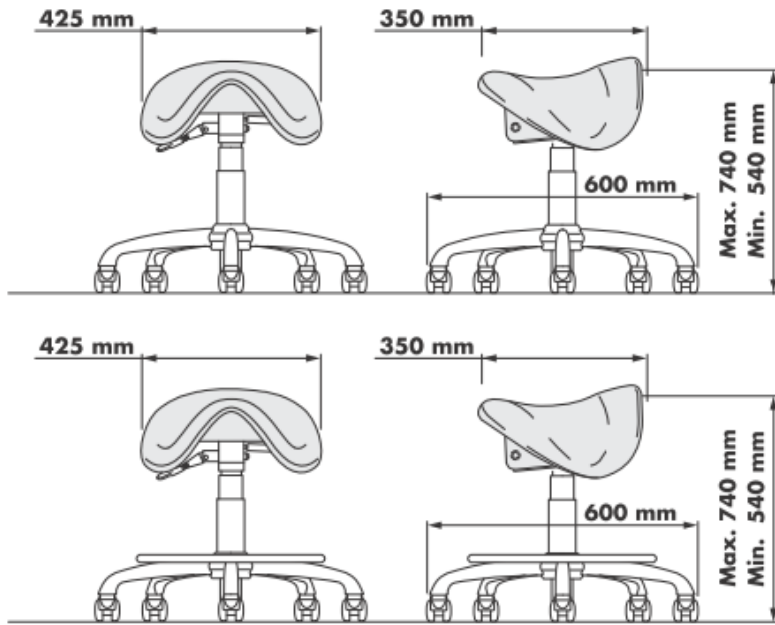
# ASSIST PLUS



# ASSIST



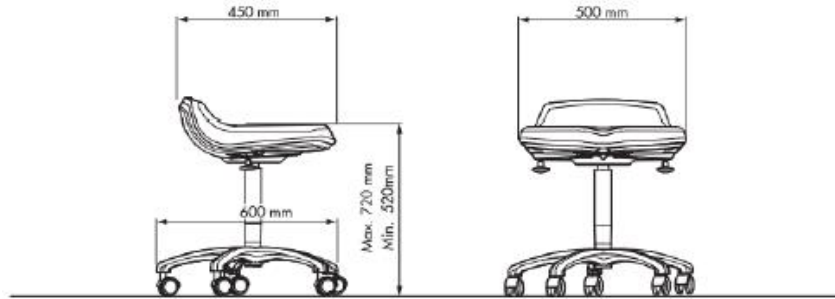
# HARLEY





# 4U – 4US

## AG70070/71



## AG70080/81

